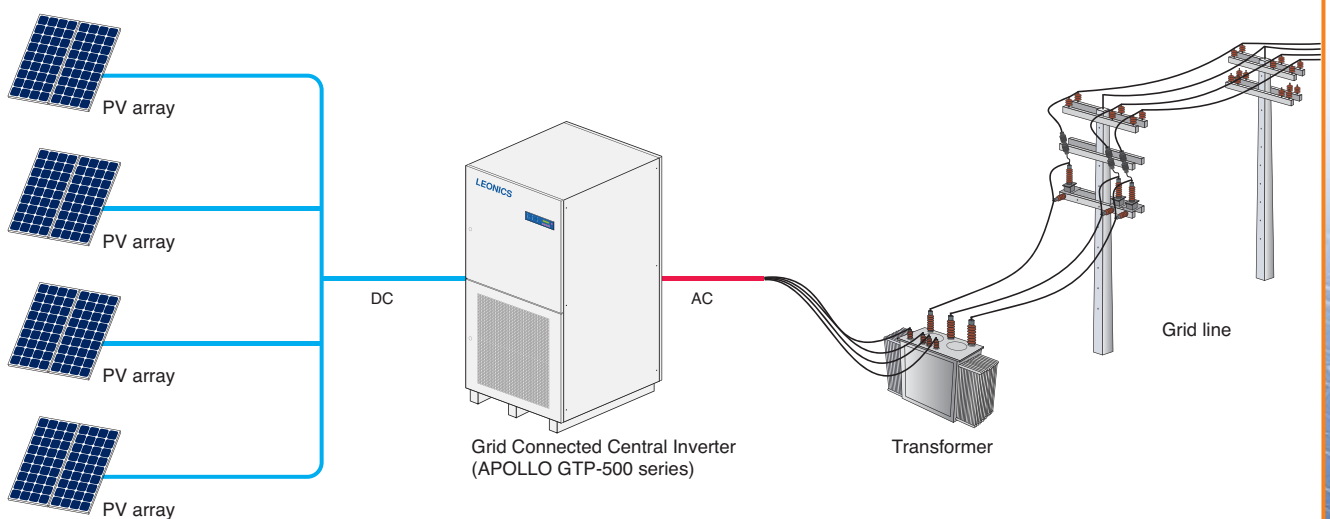


## APOLLO GTP-500



### Three Phase Grid Connected Central Inverter

- Three phase grid connected inverter with built-in output transformer
- Maximum inverter efficiency > 96%
- Low Total Harmonic Distortion (THDi)
- Integrate with PV Maximum Power Point Tracking (MPPT)
- Over and under voltage and frequency protections
- Islanding protection (IEC 61727 and IEC 62116 compliance) during failure of utility grid power supply
- Automatic start and shutdown during over heating
- Superior user protection with galvanic isolation
- Display LCD unit for voltage, current, watt, energy, and accumulated energy at inverter for each phase and three phase
- Master and slave operation for higher system energy production (option)
- ISO 9001 and ISO 14001 certified factory



The APOLLO GTP-500 Series is high performance three phase grid connected central inverter that integrated with PV maximum power point trackers (MPPT) to extract maximum power generated from the PV arrays, and also system protection during failure of utility grid power supply. The APOLLO GTP-500 series inverter is suitable for medium to large scale grid connected solar power system.

## APOLLO GTP-500 series Three Phase Grid Connected Central Inverter

### SPECIFICATIONS

MODEL		GTP-501	GTP-502	GTP-503	GTP-504	GTP-505	GTP-506	GTP-507	GTP-508	GTP-509	GTP-510	GTP-511	GTP-512	
RATED POWER	PV input	33 kW	49.5 kW	66 kW	82.5 kW	99 kW	115.5 kW	137.5 kW	165 kW	198 kW	220 kW	247.5 kW	275 kW	
	AC output	30 kW	45 kW	60 kW	75 kW	90 kW	105 kW	125 kW	150 kW	180 kW	200 kW	225 kW	250 kW	
SYSTEM		IGBT technology												
PV INPUT	MPPT voltage range (V <sub>mp</sub> of PV string)	270 to 500 Vdc (300 to 500 Vdc optional) (calculate by using V <sub>mp</sub> )						400 to 700 Vdc (calculate by using V <sub>mp</sub> )						
	Maximum open circuit voltage (V <sub>oc</sub> of PV string)	550 Vdc (600 Vdc optional) (calculate by using V <sub>oc</sub> )						780 Vdc (calculate by using V <sub>oc</sub> )						
	Maximum PV current	125 A	170 A	225 A	280 A	340 A	395 A	465 A	375 A	450 A	500 A	565 A	625 A	
AC OUTPUT TO GRID LINE	Grid line voltage	380 / 400 / 415 Vac (L-L), 220 / 230 / 240 Vac (L-N) (-15%, +10 %)												
	Phase	Three phase four wires												
	Frequency	50 / 60 Hz ± 0.5 Hz (± 0.2 Hz to ± 5 Hz adjustable)												
	Power factor	> 0.98												
	Total harmonic distortion	THDi < 3%												
	Maximum AC current	45.4 A	68.2 A	90.9 A	113.6 A	136.3 A	159 A	189.3 A	227.2 A	272.2 A	303 A	340.9 A	378.8 A	
ISOLATION	Galvanic isolation	yes												
EFFICIENCY	Inverter peak efficiency	> 93.0%			> 94.0%			> 95.9%			> 96.0%			> 96.3%
PROTECTION	Input / Output	Over voltage, under voltage (AC&DC), frequency (AC)												
	Islanding operation	Active and passive anti-islanding												
	Over heat	Automatic shutdown and restart												
	Surge dissipation	20 kA Category C1 for AC (separate supply)												
INDICATOR	LED	Mains, Operating, Synchronize, PV, Over temp., Alarm												
	LCD display	Input (voltage, current, power, frequency), Generated power, Generated energy, Accumulated energy, PV (voltage, current, power, energy, accumulated energy), status												
AUDIBLE ALARM		Mains failure, inverter fault												
POWER CONSUMPTION		less than 40 Watt in standby mode,												
		0 Watt in sleep mode												
COOLING		Force fan cooling												
ENVIRONMENT	Temperature	0 - 45°C												
	Relative humidity	0 - 95 % (non - condensing)												
DESIGN REGULATION	Standard	IEC 61727, IEC 62116, IEC 60335-1, AS 3100, AS 4777												
	Enclosure	IP 20												
DIMENSION (W x H x D) (cm)	Top-entry	60 x 188 x 105			90 x 205 x 105				120 x 205 x 105					
	Bottom-entry	60 x 148 x 105		60x188x105	90 x 188 x 105				120 x 205 x 105					
WEIGHT (approx. in kg)	Top-entry	480	552	717	873	873	911	911	1,050	1,250	1,350	1,540	1,540	
	Bottom-entry	438	510	675	827	827	865	865	1,050	1,250	1,350	1,540	1,540	

Continuous product development is our commitment. In that manner, the above specifications may be changed without prior notice.

Authorized Distributor

LEO ELECTRONICS CO.,LTD.

27, 29 Soi Bangna-Trad Rd 34, Bangna, Bangkok 10260 THAILAND  
Phone. 0-2746-9500, 0-27468708 Fax. 0-2746-8712 e-mail : RNE@leonics.com

▪ www.leonics.com ▪

Authorized Dealer